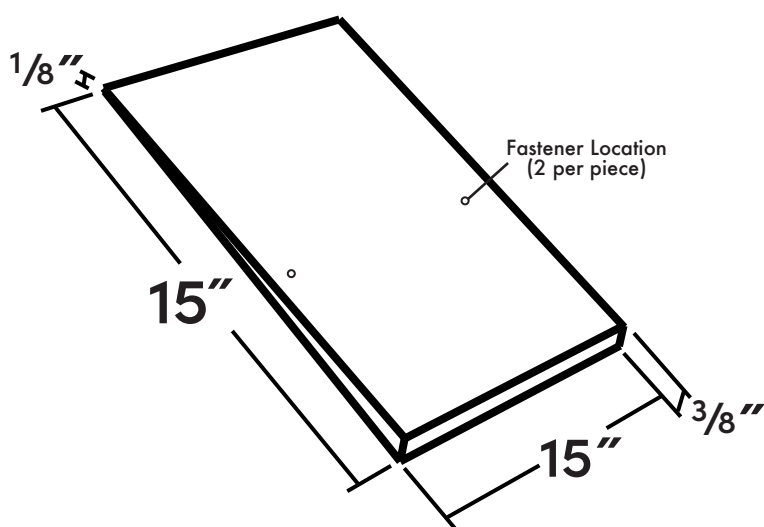


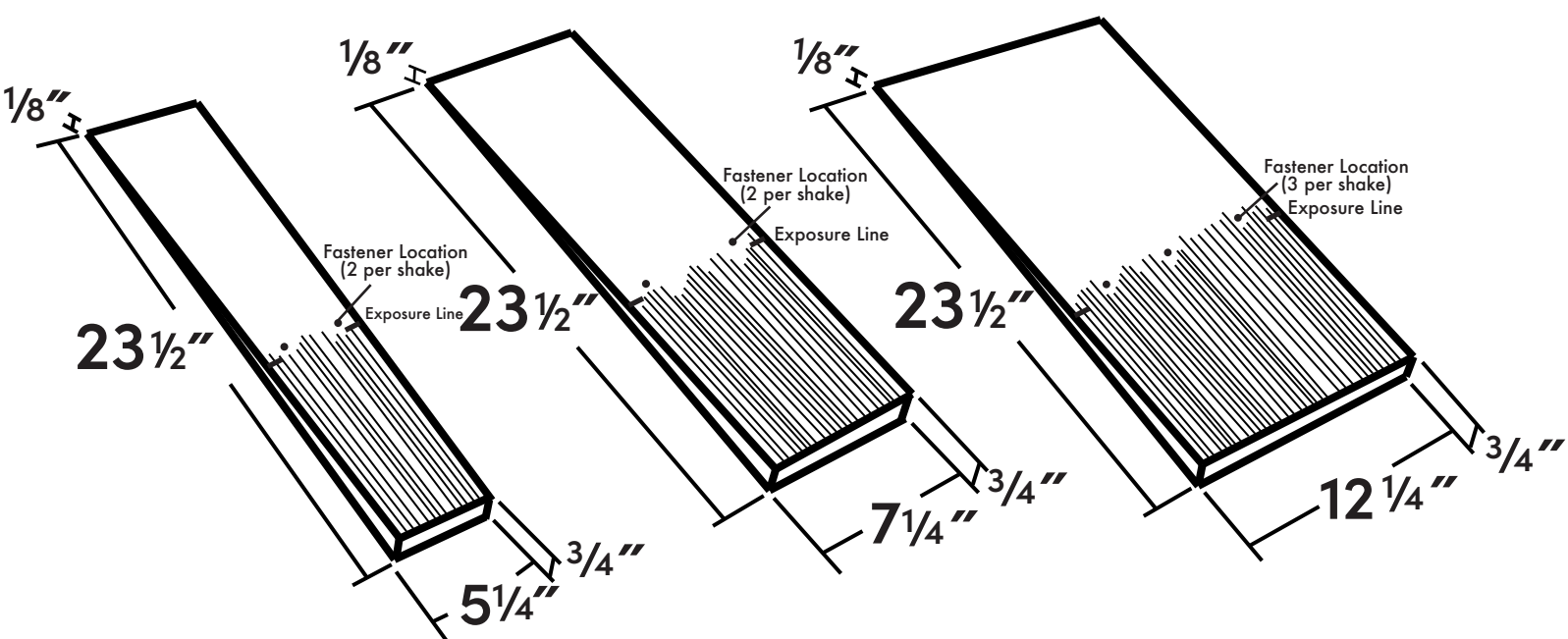
## CeDUR Starter

1 Size



## CeDUR Field Shake

3 Widths  
50+ unique molds



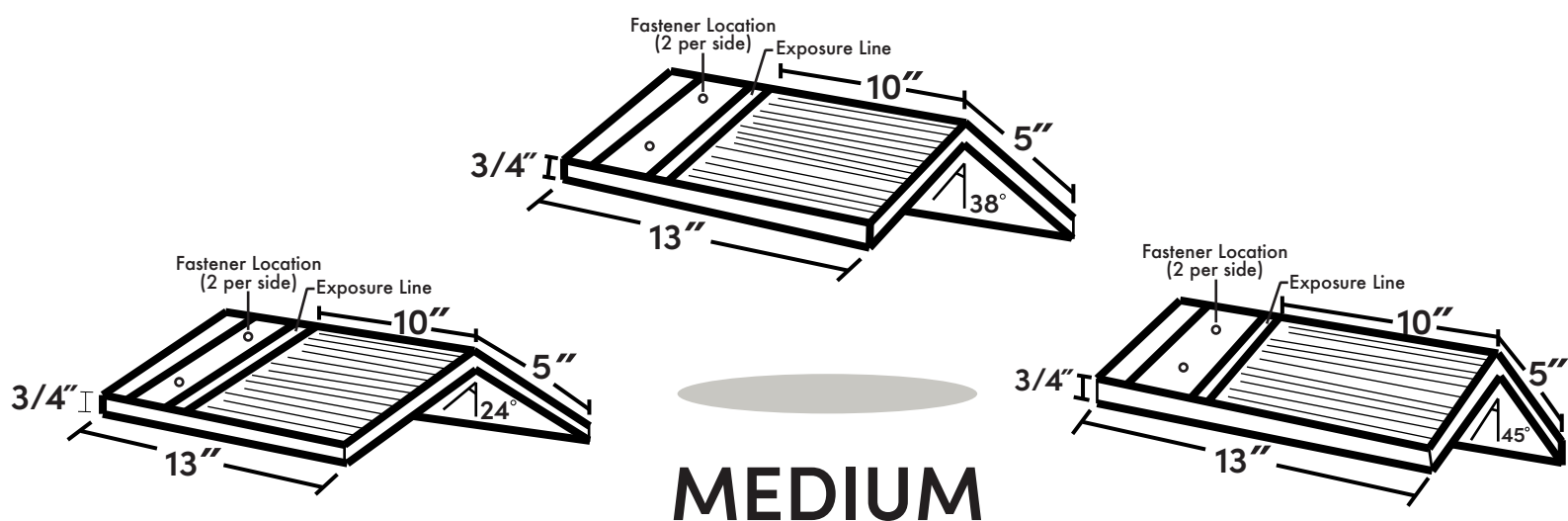
5 1/4" SHAKE

7 1/4" SHAKE

12 1/4" SHAKE

## CeDUR Hip & Ridge

3 Sizes - all 10 inch coverage  
12 pieces per bundle - covers 10 feet per bundle



LOW

MEDIUM

HIGH

4:12 - 7:12 LOW HIP / RIDGE  
ABOVE 7:12 - 11:12 MEDIUM HIP / RIDGE  
ABOVE 11:12 - 14:12 HIGH HIP / RIDGE  
ABOVE 14:12 - 21:12 RIDGE TO BE FIELD ASSEMBLED

### AVAILABLE SIZES & INSTALLED WEIGHT

LENGTH	23 1/2" inches
WIDTH	5 1/4", 7 1/4" and 12 1/4" inches
THICKNESS	3/4" tapered to 1/8"
INSTALLED WEIGHT PER 100 SQ FT.	170 pounds
PIECES PER BUNDLE	7 pieces each of 5 1/4", 7 1/4" & 12 1/4"
BUNDLES PER PALLET	36

### COVERAGE (based on 3/8" standard keyway)

10" Standard Exposure	
SQ/Bundle	0.125
Pieces/SQ	168
SQ/8-Bundles	1
SQ/Pallet of 36 Bundle	4.5